

Order picking truck 1.2 ton

BT optio

L-series

OSE120

OSE120P



Order picking truck

Truck specifications					OSE120	OSE120P
Identification	1.1	Manufacturer			BT	BT
	1.2	Model			OSE120	OSE120P
	1.3	Drive			Electric	Electric
	1.4	Operator type			Stand on	Stand on
	1.5	Load capacity/rated load	Q	kg	1200	1200
	1.6	Load centre	c	mm	1200	1200
	1.8	Load distance, back of fork to bogie wheel centre, short/long support arms	x	mm	858/973	858/973
	1.9	Wheelbase short support arms, short/long chassis long support arms, short/long chassis	y y	mm mm	2042/2128 2157/2243	2042/2128 2157/2243
Weight	2.1	Service weight without battery, short/long chassis		kg	1184/1263	1184/1263
	2.2	Axle load, with load, drive/castor/fork wheels short chassis long chassis		kg kg	798/302/913 725/110/1138	798/302/913 725/110/1138
	2.3	Axle load, without load, drive/castor/fork wheels short chassis long chassis		kg kg	545/407/246 562/395/300	545/407/246 562/395/300
Wheels	3.1	Drive / castor / fork wheels			Vulkollan	Vulkollan
	3.2	Wheel size, front		mm	Ø 250 x 75	Ø 250 x 75
	3.3	Wheel size, rear		mm	Ø 85 x 74	Ø 85 x 74
	3.4	Additional wheels, dimensions		mm	Ø 150 x 78	Ø 150 x 78
	3.5	Wheels, number front / rear (x =driven wheels)			1x+ 1/4	1x+ 1/4
Dimensions	4.2.1	Overall height	h_{15}	mm	1370	1370
	4.4	Lift	h_3	mm	715	715
		Lift height	h_{23}	mm	800	800
	4.8	Stand height, min./max.	h_7	mm	138	138/980
	4.15	Height, fork lowered	h_{13}	mm	85	85
	4.19	Overall length, short/long chassis	l_1	mm	2556/2642	2556/2642
	4.20	Length to face of forks, short/long chassis	l_2	mm	1406/1492	1406/1492
	4.21	Overall width	b_1	mm	790	790
	4.22	Fork dimensions	s/e/l	mm	70/180/1150	70/180/1150
	4.25	Width over forks	b_5	mm	520-570	520-570
	4.31	Ground clearance	m_1	mm	23	23
	4.34	Aisle width for pallets 800 x 1200 lengthways	A_{st}	mm	2813	2813
4.35	Turning radius short support arms, short/long chassis long support arms, short/long chassis	W_a W_a	mm mm	2271/2357 2386/2472	2271/2357 2386/2472	
4.44	Clear width driver compartment entrance	l_{24}	mm	450	450	
Performance data	5.1	Travel speed, with/without load		km/h	8/12	8/12
	5.2	Lift speed, with/without load		m/s	0,13/0,15	0,13/0,15
	5.3	Lowering speed, with/without load		m/s	0,22/0,18	0,22/0,18
	5.8	Max. gradeability, with/without load ¹⁾		%	5/5	5/5
	5.10	Service brake			Electromagnetic	Electromagnetic
Electric motor	6.1	Drive motor rating S2 60 min		kW	2,8	2,8
	6.2	Lift motor rating S3 7%		kW	2,0	2,0
	6.4	Battery voltage, nominal capacity K_5		V/Ah	24/620	24/620
	6.5	Battery weight, min./max.		kg	239-501	239-501
	6.6	Energy consumption acc to VDI cycle ²⁾		kWh/h		
	Other	8.1	Type of drive control			BT Powerdrive
8.4		Sound level at the driver's ear according to EN 12 053		dB(A)	60	60

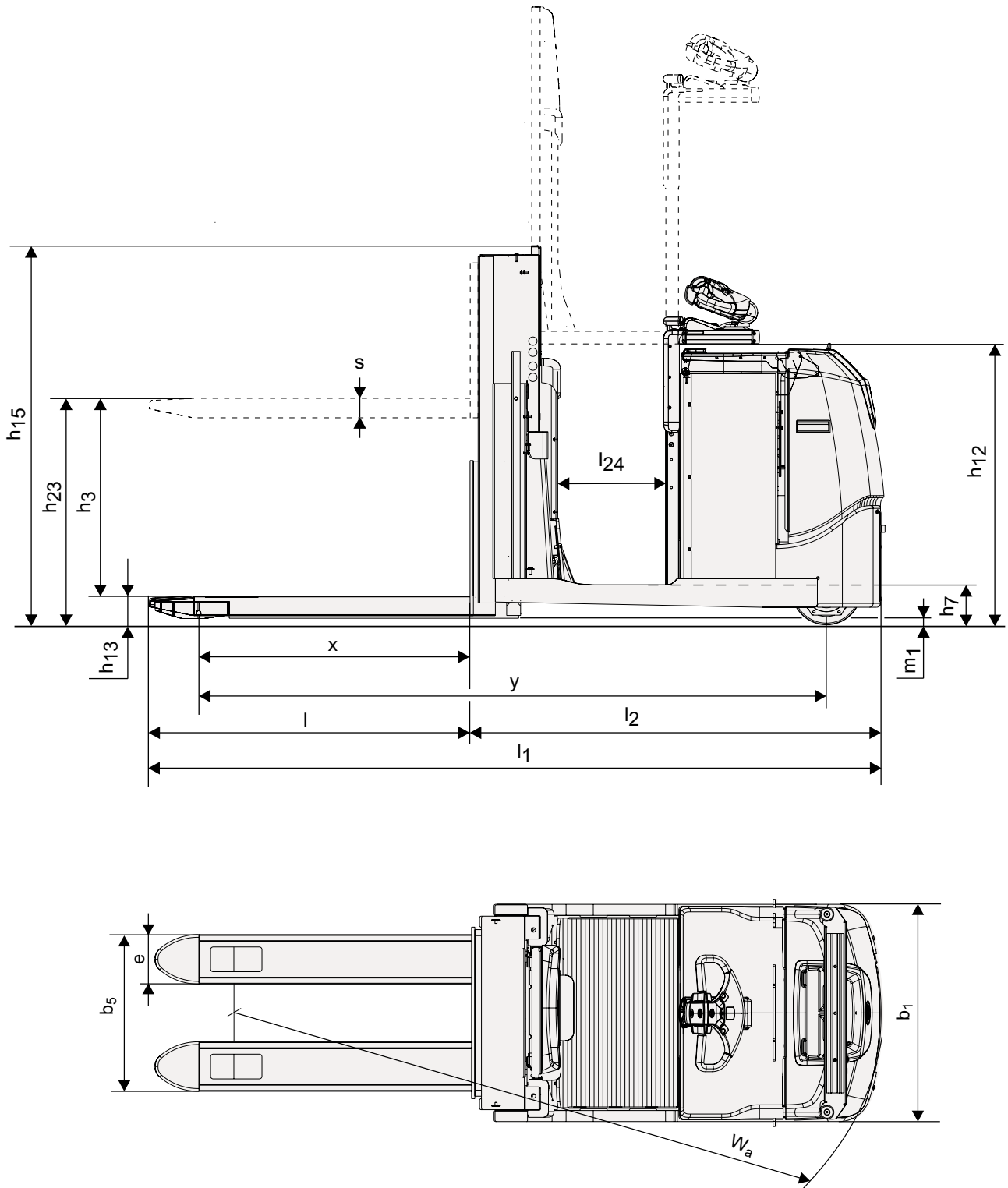
1) Measured according to company standard.

2) Contact your supplier for information.

All data are based on table configuration. Other configurations may give other values.

Truck performance and dimensions are nominal and subject to tolerances.

BT products and specifications are subject to change without notice.



Truck features:

- High performance models
- High capacity, high lifting forks
- BT E-man steering concept
- Low step-in
- BT Powerdrive system
- Sensi-platform lift
 - including elevating controls (P-model)
- Integrated shrink film holder
- Streamlined administration
 - E-bar concept (option)
- Frequency adapted suspension (option)

